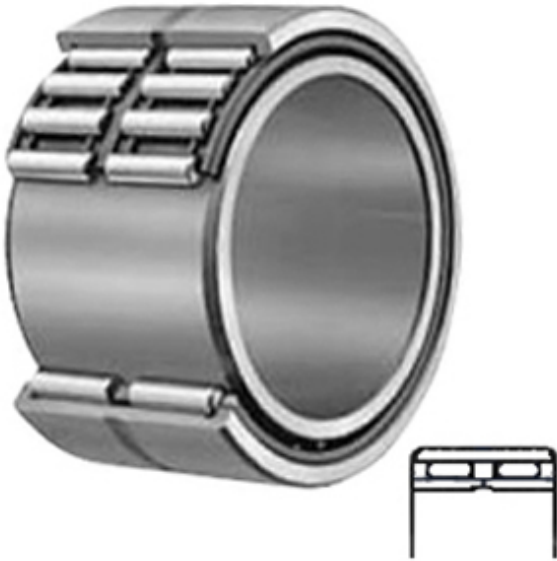




Jining Jinjia Hydraulic Co., Ltd.



NAO-25 X 42 X 32 Bearing 2D drawings and 3D CAD models

0.984 Inch | 25 Millimeter x 1.654 Inch | 42
 Millimeter x 1.26 Inch | 32 Millimeter
CONSOLIDATED BEARING NAO-25 X 42 X 32
 Needle Non Thrust Roller Bearings

Bearing No. NAO-25 X 42 X 32

Category	Needle Non Thrust Roller Bearings
Inventory	0.0
Manufacturer Name	CONSOLIDATED BEARING
Minimum Buy Quantity	N/A
Weight	0.185
EAN	0644075079709
Product Group	B04144
Rolling Element	Needle Roller Bearing
Component	Complete with Outer and Inner Ring
Enclosure	Open
Self Aligning	No
Retainer	Yes
Number of Rows of Rollers	Double Row
Separable	Inner/Outer Ring - Both Sides
Closed End	No
Inch - Metric	Metric
Relubricatable	Yes
Thrust Bearing	No
Long Description	25MM Bore; 42MM Outside Diameter; 32MM Width; Needle Roller Bearing; Complete with



Jining Jinjia Hydraulic Co., Ltd.

	Outer and Inner Ring; Open Enclosure; No Self Aligning; Retainer; Double Row of Rollers; Inner/Outer Ring - Both Side
Other Features	Plain Inner Ring Plain Outer Ring Oil Hole in Outer Ring
Category	Needle Non Thrust Roller Bearing
UNSPSC	31171512
Harmonized Tariff Code	8482.40.00.00
Noun	Bearing
Keyword String	Needle
Manufacturer URL	http://www.consbrgs.com
Manufacturer Item Number	NAO-25 X 42 X 32
Weight / LBS	0.41
D	1.654 Inch 42 Millimeter
d	0.984 Inch 25 Millimeter
B	1.26 Inch 32 Millimeter